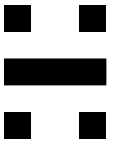


Huddly IQ



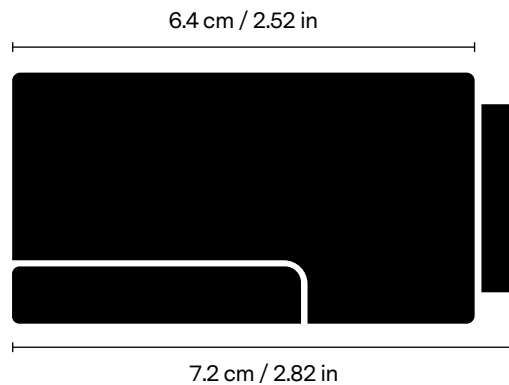
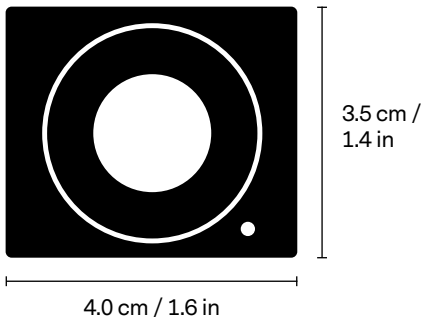
For small spaces and medium meeting rooms.



Huddly IQ

Product Information

Weight: 120 g / 0.26 lbs



Specifications

Image

- 12 Megapixels 1/2.3" CMOS sensor
- 1080p Full HD @ 30 fps
- 720p HD @ 30 fps
- 16:9 aspect ratio output
- UVC 1.1 plug-and-play compatible

Optics

- Ultra-wide angle glass optics
- Horizontal field of view 120°
- Vertical field of view 90°
- Diagonal field of view 150°
- f/2.8 aperture

Connectivity

- USB Type-C connector
- SuperSpeed USB 3
- Power requirement 5V 900mA

System & Hardware Requirements

Any operating system with built-in USB plug-and-play support, including:

- Windows 10 or later
- macOS

Hardware

- 5-element beamforming microphone array (optional)
- Aluminum unibody construction
- High-performance video processing engine
- Neural compute engine
- Embedded mounting hinge
- Camera tripod mount

Color

Matte Black

Packaging Dimensions

L: 80 mm x W: 52 mm x H: 50 mm

Certification



Huddly IQ

Product Information

Features

Microphone array (optional)

Huddly IQ optionally features an embedded five-element beamforming microphone array to ensure crystal-clear audio.

Wide-Angle Lens

The camera features a wide-angle lens that ensures everyone is captured on video, even those who are close to the screen.

Group Framing

The camera detects the people in its entire field of view and intelligently frames them for the best experience.

Gallery View

A split-screen layout displays each participant in an individual pane, with intelligent zoom adjustments to ensure equal representation.

Digital Pan/Tilt/Zoom

The camera has no moving parts, allowing Pan, Tilt, and Zoom functions to be adjusted smoothly, silently and instantly.

Software-Upgradable

The camera gets even smarter over time with regular software enhancements and new intelligent features.

Image Enhancement

The camera automatically corrects white balance, color, and optical aberration. It reduces image noise through bias compensating spatio-temporal filtering with wide-area chroma filtering and adapts to poor lighting conditions with Dynamic Light Optimization.

Real-Time Dewarping

The camera's wide-angle image is dewarped and perspective corrected in real time, rendering a natural, true-to-life view.

Portrait Lighting

The camera uses AI to understand the lighting conditions in the image. It automatically adjusts exposure to ensure that faces are well-lit and facial expressions are clearly visible.

InSights Analytics API

The camera can detect and count the people within its entire field of view, with high-quality analytics data accessible via the Huddly InSights API.

180° Auto-Flip

The camera automatically provides the correct view when mounted upside down.

Room Examples

