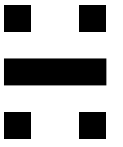


Huddly S1

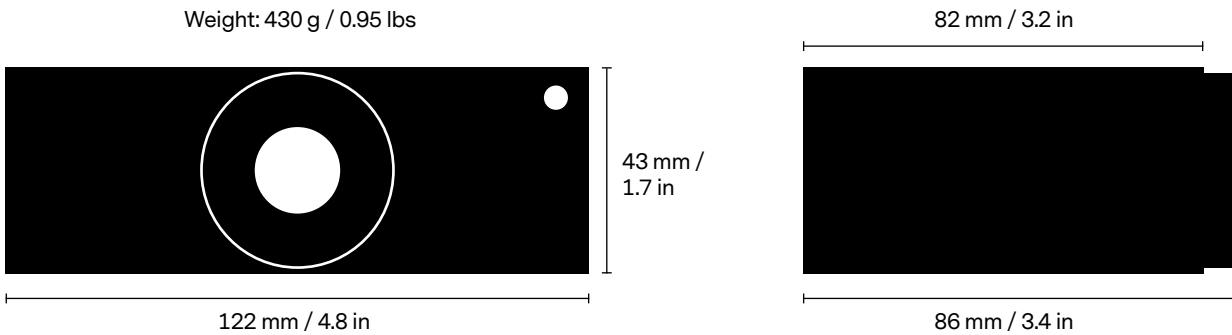


For small to medium
meeting rooms



Huddly S1

Product Information



Specifications

Image

- 4K image sensor
- 12 Megapixels 1/2.3" CMOS sensor
- 1080p Full HD @ 30 fps
- 720p HD @ 30fps
- 16:9 aspect ratio output
- Up to 4x digital zoom

Optics

- Ultra-wide angle glass optics
- Horizontal field of view 120°
- Vertical field of view 90°
- Diagonal field of view 150°
- f/2.8 aperture

System & Hardware Requirements

Any operating system with built-in USB plug and play support, including:

- Windows 10 or later
- macOS
- ChromeOS

Connectivity

- Connector: RJ45
- Cable: Cat 5e/6/7
- USB Type-C port supporting USB 2/3 (via USB Adapter)

Hardware

- High-performance VPU with neural compute engine
- Aluminum body
- Camera tripod mount

Color

Matte Black

Wall & Shelf Mount (Included)

- Made for placement on wall or shelf
- Weight of Mount: 120 g/ 0.2 lbs

Packaging Dimensions

L: 274 mm x W: 184 mm x H: 93 mm

Huddly S1

Product Information

Features

Huddly Director

Huddly Director edits your meetings in real time using AI. Switching between different shot types, it focuses on the speaker, captures non-verbal reactions from listeners, and gives a full overview of the room.

Perspective Correction

Corrects wide-angle lens and perspective distortions in real-time, delivering a lifelike view of people and spaces. Allows flexible camera placement with tilt up or down.

Framing Zone

Lets you control your framing area by defining the dimensions of your meeting space. This way, only meeting participants are detected and framed.

Genius Framing

The camera detects the people in its entire field of view and intelligently frames them for the best experience.

Digital Pan/Tilt/Zoom

The camera has no moving parts, allowing Pan, Tilt, and Zoom functions to be adjusted smoothly, silently and instantly.

Software-Upgradable

The camera gets even smarter over time with regular software enhancements and new intelligent features.

Power over Ethernet

The camera receives power and transmits data through Power over Ethernet. Installation is reliable and flexible in regard to cable length.

Image Enhancement

The camera automatically corrects white balance, color, and optical aberration. It reduces image noise through texture-preserving luma filtering and wide-area chroma filtering and adapts to poor lighting conditions with Dynamic Light Optimization.

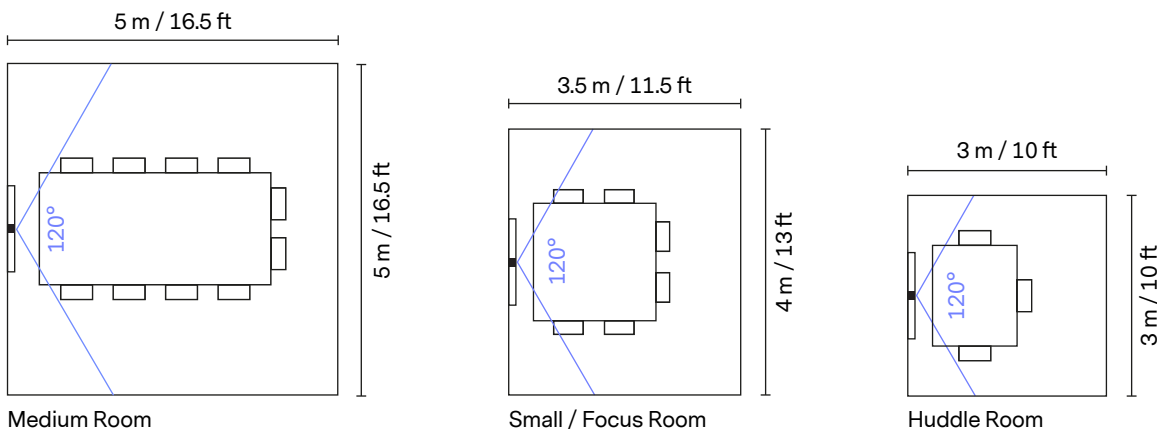
Portrait Lighting

The camera uses AI to understand the lighting conditions in the image. It automatically adjusts exposure to ensure that faces are well-lit and facial expressions are clearly visible.

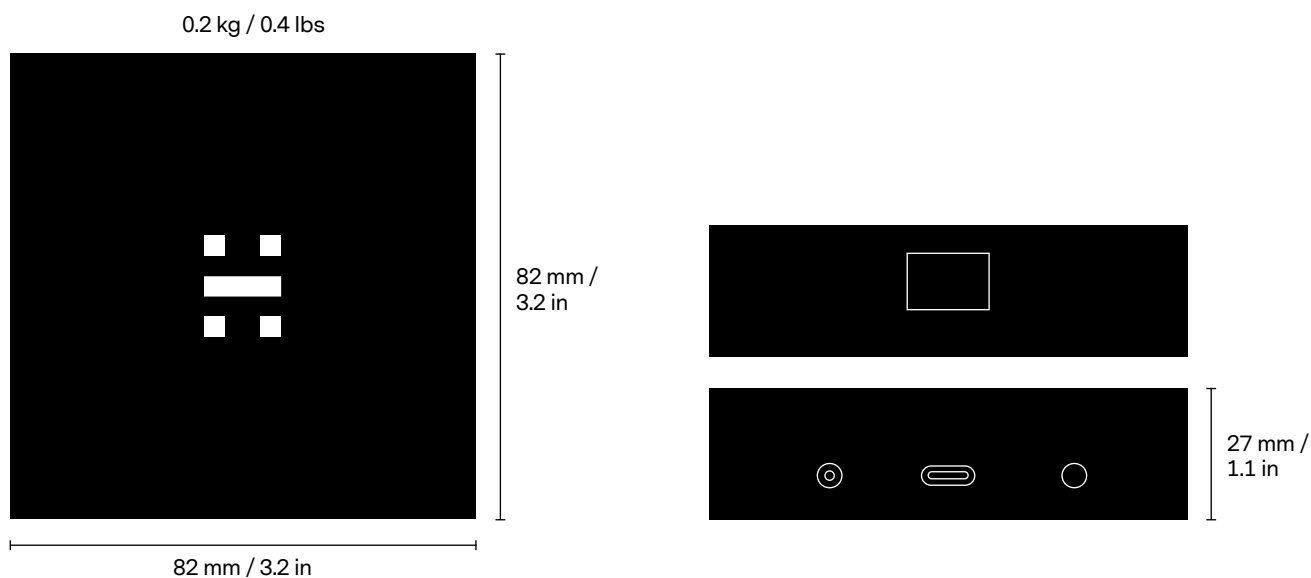
InSights Analytics API

The camera can detect and count the people within its entire field of view, with high-quality analytics data accessible via the Huddly InSights API.

Room Examples



Huddly USB Adapter



The Huddly USB Adapter enables plug-and-play connectivity between Huddly S1 and your meeting room computer.

Features

- USB plug and play for Huddly S1
- USB Video Class (UVC) support
- PoE output to power connected camera

Connectivity

- USB Type-C port supporting USB 2/3 (to host computer)
- RJ45 gigabit Ethernet port to camera
- DC power connector

Power Requirements

Requires external 5V 3A power using the included external AC/DC 5V 4A power adapter.

Hardware Specifications

- Aluminum body
- Built-in magnet for easy mounting to metal
- Wall mount plate (included)

Color

Matte Black

System & Hardware Requirements

Any operating system with built-in USB plug and play support, including:

- Windows 10 or later
- macOS
- ChromeOS

Huddly USB Adapter

Connectivity

You can easily install Huddly S1 in any room with a single Ethernet cable of up to 100 meters. Huddly USB Adapter comes with both USB-C and USB-A cables for connecting to meeting room devices.

